



NOTES:

1. MATERIAL:
  - 1.1 HOUSING: THERMOPLASTIC, HIGH TEMP., UL94V-0; COLOR:NATURAL.
  - 1.2 CONTACT: COPPER ALLOY
  - 1.3 SHELL: COPPER ALLOY
2. FINISH:
  - CONTACT: <A>. 3u" MIN GOLD ON CONTACT
  - <C>. 15u" MIN GOLD ON CONTACT
  - SOLDER: <AC>. GOLD FLASH.
  - UNDERPLATING: 50~100u" NICKEL OVERALL.
  - FITTING NAIL: 100u" MATTE TIN
  - UNDERPLATING: 50~100u" NICKEL OVERALL.

3. REFLOW SOLDER CAPABLE TO 260°C PER ACES SPEC.
4. SPEC. PLS. REFER TO PS-50463-XXXX
5. PACKAGE PLS. REFER TO 50463-XXXX-TRP
6. MATING CONNECTOR P/N:50464
7. PART NUMBER

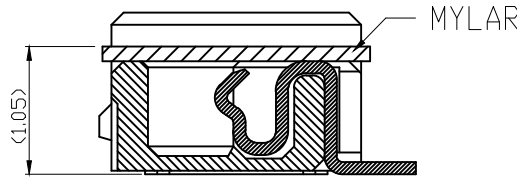
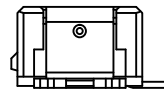
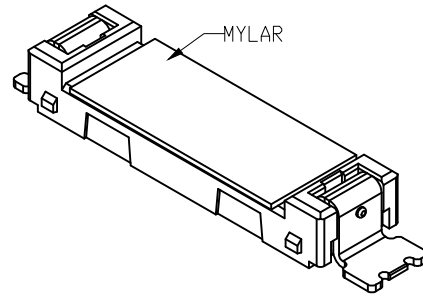
50463-XXX X X-XXX

CKTS  
010.10PIN  
020.20PIN  
030.30PIN  
040.40PIN

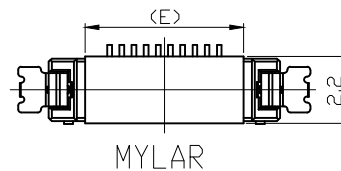
PART NO.	DIM D(DIM G)
001 50463-XXXX-TRP	0.65 0.90
P01 50463-XXXX-01-TRP	1.00 1.40
V01 50463-XXXX-01-TRP	0.65 0.90
002 50463-XXXX-U-TRP	0.65 0.90
D01 50463-XXXX-U-TRP	0.65 0.90

CONTACT PLATING  
A.3u" GOLD ON CONTACT FOR LEAD FREE  
C.15u" GOLD ON CONTACT FOR LEAD FREE

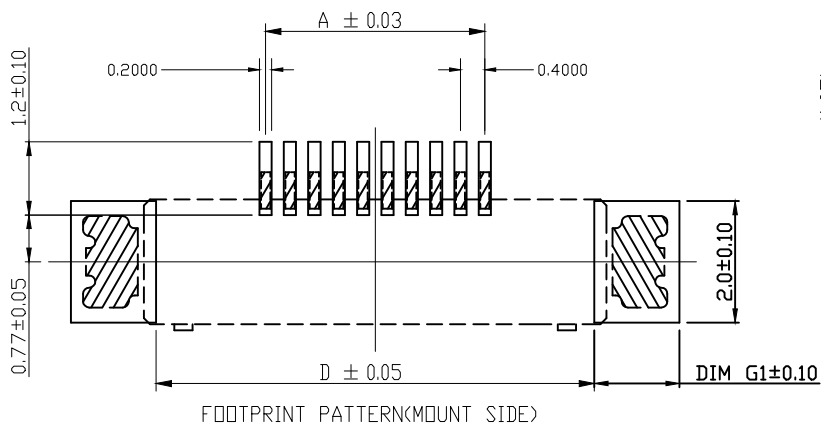
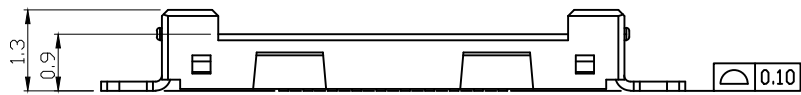
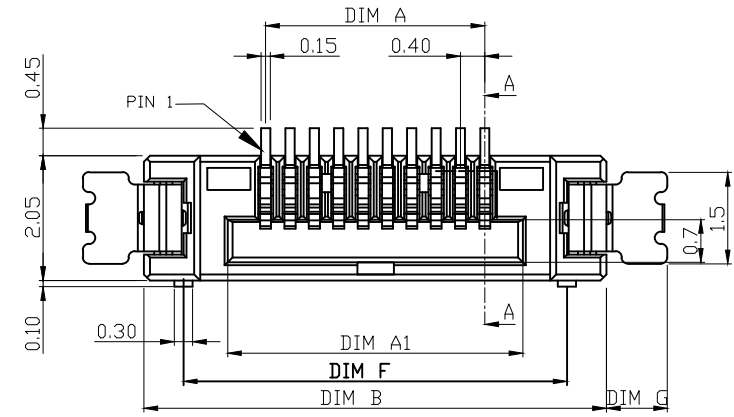
- PACKING  
4:TAPE REEL WITH MYLAR  
0:TAPE&REEL WITHOUT MYLAR & COVER



SECTION A-A  
SCALE 2:1



CKTS	DIM A	DIM B	DIM D	DIM E	DIM F	DIM A1
10	3.60	7.60	7.2	5.2	6.3	4.85
12	4.40	8.40	8.0	6.0	7.1	5.65
14	5.20	9.20	8.8	6.8	7.9	6.45
20	7.60	11.60	11.2	9.2	10.3	8.85
30	11.60	15.60	15.2	5.2	14.3	12.85



FOOTPRINT PATTERN(MOUNT SIDE)

<b>QUALITY SYMBOLS</b> MAJOR CRITICAL <b>GENERAL TOLERANCES (UNLESS SPECIFIED)</b> X. ±0.5 .X ±0.25 .XX ±0.15 .XXX ±0.1 ANGLES ±2°	DRAWN BY HUAILIN	DATE 21/06/19	 <b>ACES ELECTRONICS</b> TITLE 0.4mm WTB COAX.Rept Conn.
	CHECKED BY XUZHUYONG	DATE 21/06/19	
	APPROVED BY XUZHUYONG	DATE 21/06/19	
	UNITS mm	 SCALE 4:1	
	SHEET NO. 1 OF 1	REV L	DWG NO. 50463-XXXX-XXX